



LASER

Laser Marking Machine



Wuhan Xiantong Technology Co., Ltd.

Web: www.meenjet.net

Email: info@meenjet.net

Mobile: +86 181 0715 2038

L6 Plus

Fiber Laser Marking Machine



- ① Edit on the touch screen directly, no computer needed.
- ② Desktop & Portable supported.
- ③ External data supported, high speed marking.
- ④ Working lifetime 100000 hours.



Circuitry



SS Plate



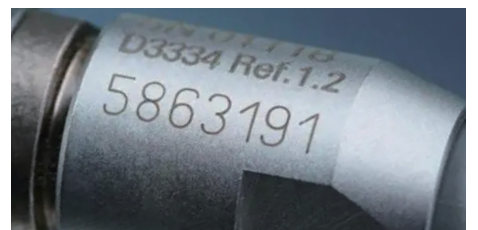
Rubber



Bottom Of Can




Tag

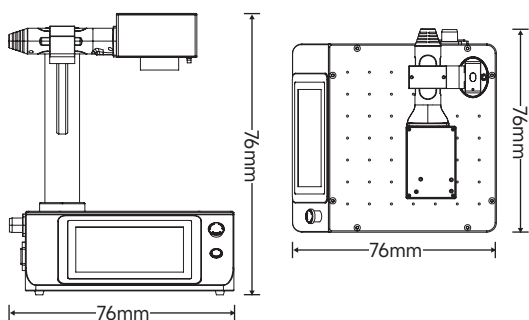


Bearing

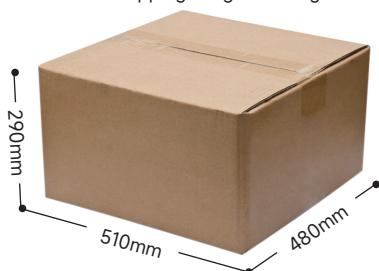
Parameters

Model	L6 Plus
Power	20W
Laser Source	Fiber laser source
Cooling	Air cooling
Wavelength	1064±3nm
Touch Screen	7 inch
Working Lifetime	100000 hours
Operating System	Embedded Linux operating system
Power Supply	AC 110-220V 60Hz
Marking Area	100mm*100mm
Preview Mode	Border Preview  + Graphic preview <i>LOVE</i>
Focal Length Guide	Double red light focusing
File Format Supported	JPG、PNG、BMP, etc.
Working Temperature	10°C ~40°C
Workplace Humidity	20%-95%
Content	Word, Numbers, Symbols, QR Code, Barcode, Pictures, Datetime, Counter
Suitable Materials	Stainless steel, Carbon steel, Alumina, Aluminum alloy, Aluminum, Copper-based iron, Carbide and other metal materials, HDPE, ABS, PVC, PES, Stone

Dimension & Accessories



◆ Shipping weight: 11.7kg



Standard List	
 ① Controller	 ② Positioning bracket
 ③ Elevating	 ⑤ Tool kit
 ④ Power cord	
Optional Parts	Foot pedal 