

TIJ

Thermal Inkjet Printer



Wuhan Xiantong Technology Co., Ltd.

Web: www.meenjet.net

Email: info@meenjet.net

Mobile: +86 181 0715 2038

MD1

Desktop Inkjet Printer



① Smart system.

② Variable data.

③ Most of materials.

④ Stepper motor.



Aluminum Cans



Food Packaging



Aluminum Foil Battery



Ceramic Ware



Plastic Bottle Cap

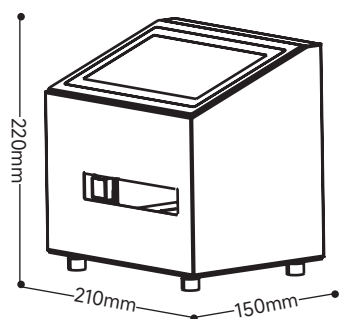


PET Bottle Bottom

Parameters

| | |
|-------------------------------|---|
| Technology | HP TIJ2.5 Thermal Inkjet Technology |
| DPI | 150-600DPI |
| Print Distance | 2-5 mm |
| Print Height | 1-12.7mm |
| Print length | 90mm |
| Print Content | Date, Time, Text, Batch Number, Image, Barcode, QR Code, Database |
| Ink Type | Aqueous / Solvent base / UV ink |
| Ink Color | Black, White, Red, Yellow, Blue, Green, Invisible |
| Languages | Chinese Simplified, Chinese Traditional, English, Turkish, Arabic, Korean, Spanish, Portuguese, Russian, etc. (support customization) |
| Communication Protocol | USB |
| Trigger Method | Manual button / Photocell sensor |
| Working Condition | Temperature 0-45° C (the best: 20-30° C), humidity 40-60%Rh |
| Adapter Parameter | Input: 100-240V AC ; Output: 12V/4A DC |

Dimension & Accessories



◆ Shipping weight: 4.4kg



| Standard List | | |
|---|---|--|
|  <p>① Controller</p> |  <p>② Power adapter</p> |  <p>④ Push switch</p> |
| |  <p>③ Ruler auxiliary board</p> |  <p>⑤ Tool kit</p> |

| Optional Parts |
|--|
|  <p>Foot switch</p> |