



L5

Specially Designed for Metal & Plastic Marking

Industrial Field Mirror | Dual Red Light Focus | High Precision Engraving

Numerous innovations await your experience

L5 portable laser adopts 2W 1064nm laser light source with highenergy density and small spot diameter, support engraving more kinds of metal, plastic and other materials,plastics and other materials, and the engraving effect is more excellent. New algorithm optimisation, double the speed and precision, higher resolution makes the engraving details more rich.



COMPACT BODY



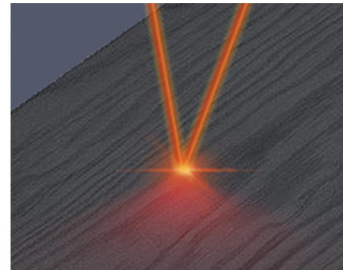
Lightweight and compact, just what you want, the whole machine weighs only 3.9Kg, you can carry high-speed laser engraving and marking machine.

PULSED LASER



Special customised optical crystal, using 1064nm pulsed laser with better compatibility, support engraving more kinds of metals, plastics and other materials, excellent engraving effect.

INDUSTRIAL SCENE FOCUSING DESIGN



Focus the laser beam energy through the field mirror, the effect is more delicate spot only 0.01MM, to achieve high-precision engraving effect.

INTELLIGENT RED LIGHT FOCUSING



Through the lifting axis, double red light can be used to focus, accurate and rapid, to achieve different heights of objects engraving.

WYSIWYG PREVIEW POSITIONING



Two positioning preview modes for projecting borders & shapes to quickly and accurately determine the engraving position.

NEW UI DESIGN



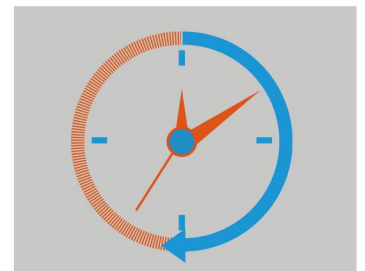
5 inch HD touch screen design, no need to connect to computer, comes with editor, function menu at a glance, support jump code function.

SUPPORT PERSONALISED ENGRAVING



Meet different custom requirements can be applied to work DIY, gift private custom, batch engraving, jewellery marking, product coding.

NON-CONSUMABLE AND LONG-LIFE LIGHT SOURCE



Without any printing consumables, it adopts ultra-long life light source, which can be used for 10000 working hours.



Headquarters address: Floor 5, Building 7, Zone E, Core Center of Optics Valley II, No.52, Liufang Road, Jiangxia District, 430205, Wuhan, China

Manufacturing Center: No. 86, Chuangye Avenue, Jingling Street, Tianmen City, Hubei Province

Tel: 400-600-0205

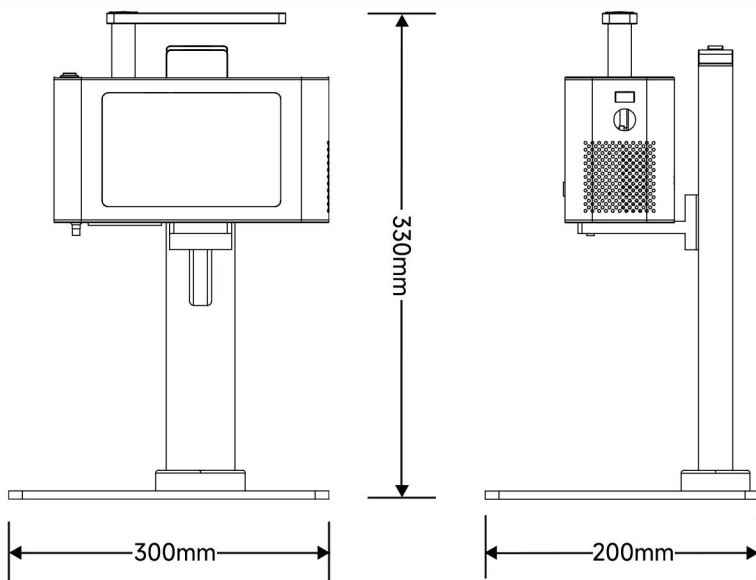
Website: www.meenjet.net

Wuhan Xiantong Technology Co., Ltd

MODEL INTRODUCTION

Product Name	L5 Portable Laser Marking Machine
Laser type	End-pumped pulsed laser
Laser wavelength	1064±1nm
Laser energy	2W
Laser life	1W working hours
Font	Support font file import
Marking range	70x70mm
User Interface	5 inch full colour capacitive touch screen
Operating system	Embedded Linux operating system
Power supply	DC12V5A adapter
Focus indicator	Dual red light focusing
Weight and size	3.9kg/300mm×200mm×330mm
Cooling System	Air-cooling
Operating Temperature	+10~+40°C
Operating humidity	Maximum 95% relative humidity, non-condensing
Printing content	Text, letters, numbers, symbols, 2D code, barcode, date, serial number, etc.
Suitable material	Metal, acrylic, plastic, leather

PRODUCT SIZE



MARKING SAMPLES



INDUSTRY APPLICATIONS

