



LASER

Laser Marking Machine



Wuhan Xiantong Technology Co., Ltd.

Web: www.meenjet.net

Email: info@meenjet.net

Mobile: +86 181 0715 2038

L4Pro

Handheld Laser Marking Machine



① 5-inch capacitive touch screen, machine weight 1.1kg.

② Integrated touch system, easy to operate.

③ Standby 12 hours, continuous working time 3-5 hours.

④ 5W semiconductor laser diode, suitable for many materials.



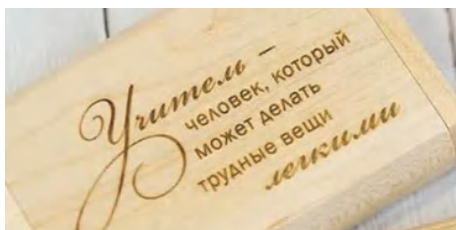
Carton



Metal



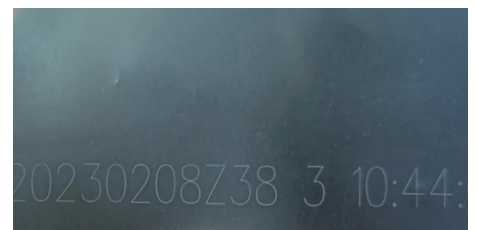
Paper



Wood




Leather

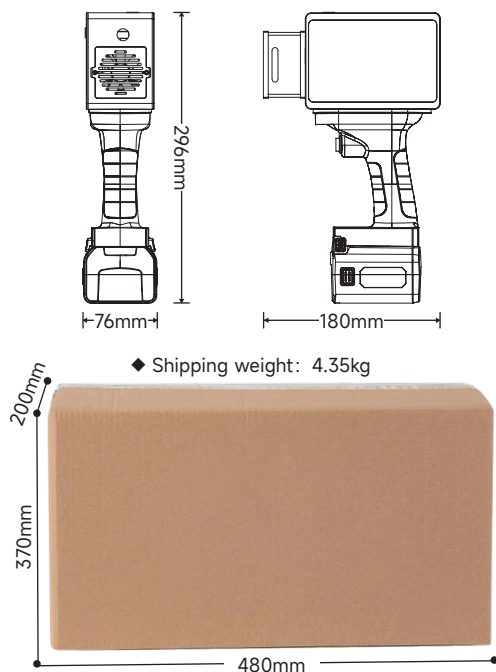




Plastic

Parameters

Laser Source	Semiconductor laser diode
Wavelength	450nm
Laser Power	≥ 5W
Laser Service Life	5000 working hours
User Interface	5-inch touch screen
Operating System	Embedded Linux Operating System
Power Supply	DC 7.4V removable battery (9000mAh)
Marking Range	50mm*50mm
Preview Mode	Border Preview  + Graphic preview <i>LOVE</i>
Focal Length Guide	Double red light focusing
File Formats	JPG、PNG、BMP, etc.
Cooling System	Built-in air cooling
Working Condition	10°C ~40°C Maximum 95% relative humidity, non-condensing
Print Content	Word, Numbers, Symbols, QR Code, Barcode, Pictures, Datetime, Counter
Suitable Materials	Wood, Carton, Bamboo, Leather, Plastic, Food, Paper, Fabric, Photosensitive stamps, Acrylic, Dark glass, Painted metal, Anodized metal, 304 stainless steel, etc.

Dimension & Accessories



Standard List				
				
① Metal box	② Controller			
				
③ Battery x2	④ Power adapter	⑤ Tool kit		