

TIJ

Thermal Inkjet Printer



Wuhan Xiantong Technology Co., Ltd.

Web: www.meenjet.net

Email: info@meenjet.net

M7 Handheld Inkjet Printer



① 600 DPI high-resolution printing, highly visible.

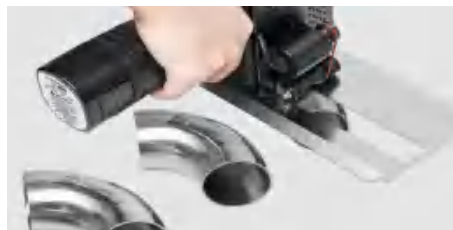
② USB and photocell interfaces; Support printing external variable data.

③ HP licensed TIJ2.5 technology; high-quality and reliable.

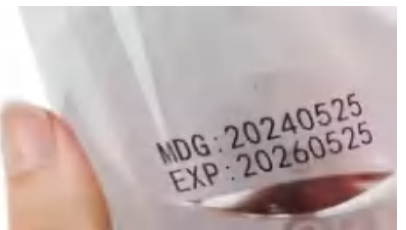
④ 2600mAh removable battery. 0.82kg lightweight portable handjet.



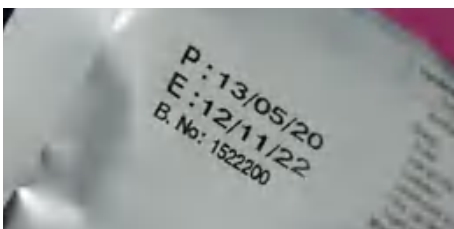
Glass



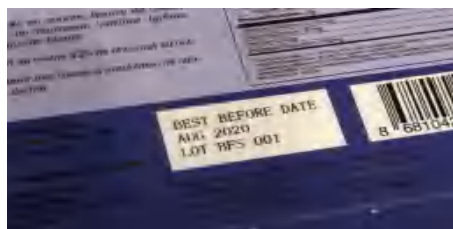
Metal



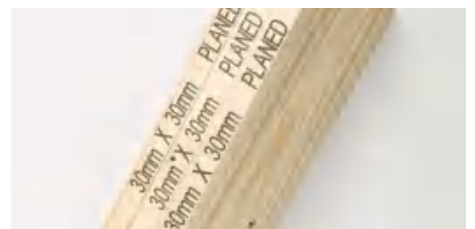
Bottle



Plastic



Carton

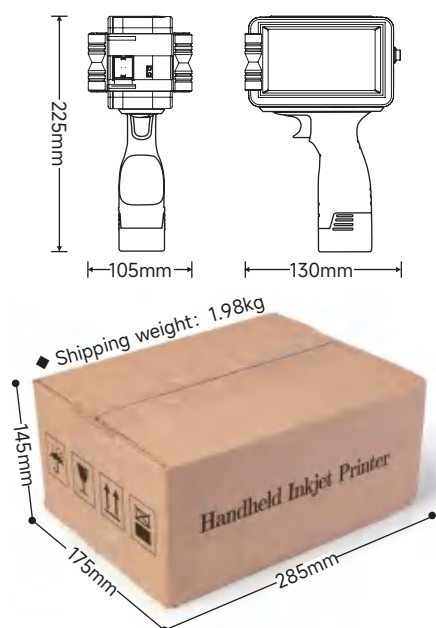


Wood

Parameters

Technology	HP TIJ2.5 Thermal Inkjet Technology
Operation System	Linux
CPU	Industrial grade CPU
Interface	USB
Language	Arabic, Chinese, English, French, German, Greek, Italian, Korean, Persian, Portuguese, Russian, Spanish, Thai, Turkish, etc. (support customization)
Print Distance	2-5mm
Print Resolution	600dpi Maximum
Print Height	1-12.7mm
Print Content	Text, time, symbol, QR code, bar code, DM code, image, counting number, variable data etc.
Print Material	Board, Carton, Stone, Pipe, Cable, Metal, Plastic, Glass, Paper, etc.
Battery	2600mAh @ DC16.8V
Power Adapter	Input: 100~240V AC; Output: 16.8V/2A DC
Material	ABS+PC
Weight	GW 0.82KG
Working Condition	Temperature 0-45° C (the best: 20-30° C), humidity 40%-60%Rh

Dimension & Accessories



Standard List		
		
① Metal/Carbon box	② Controller	④ Power adapter
		
③ Battery	⑤ Tool kit	